

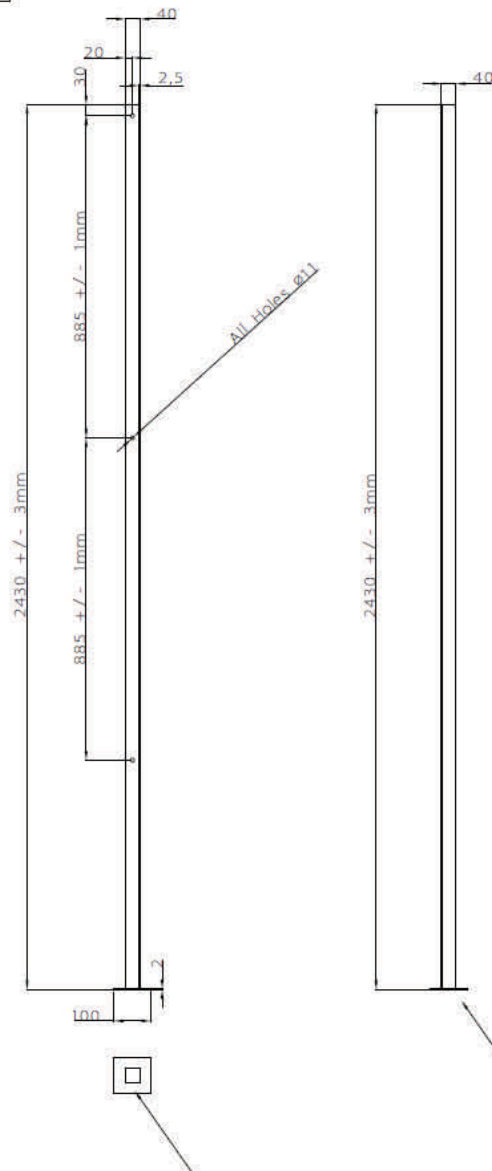
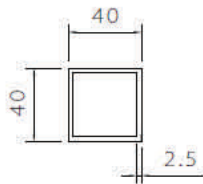


1.8m STRAIGHT INTERMEDIATE POST

BSPSI18

ALL DIMENSIONS
IN MM

Post:
40 x 40 x 2.5 RHS



Post at centre of
Base plate

100 X 100 X 2
Base plate

BSPSI18

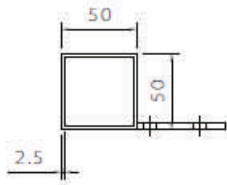


1.8m STRAIGHT RIGHT HAND END POST

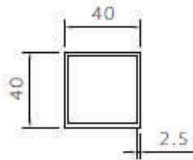
BSPSE18

ALL DIMENSIONS
IN MM

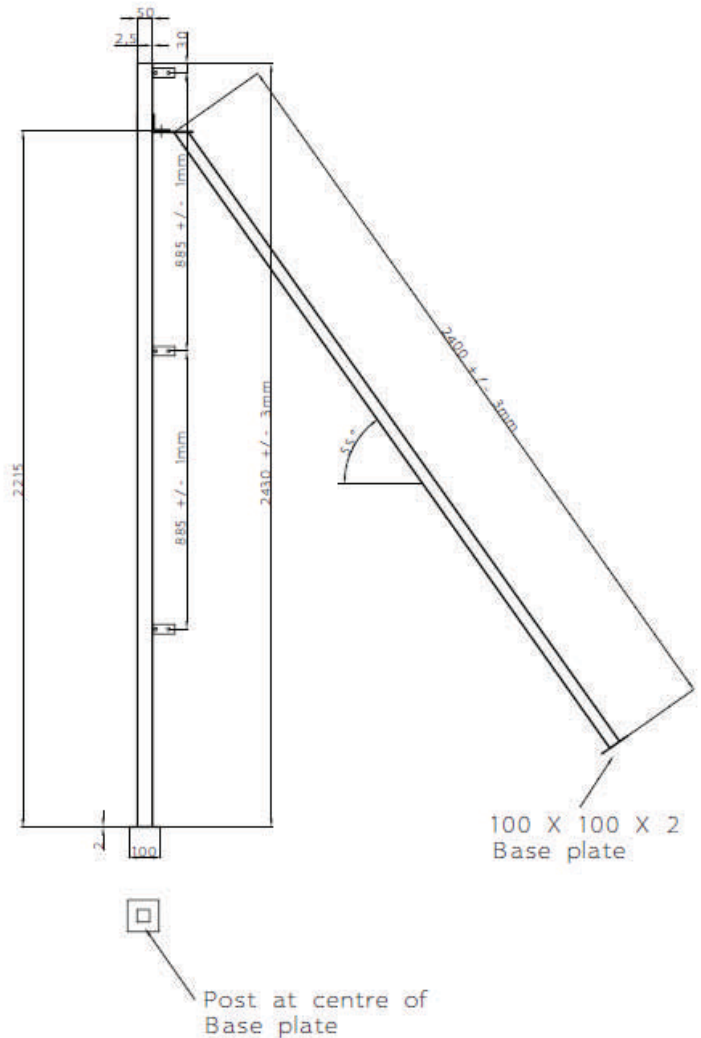
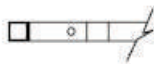
Post:
50 x 50 x 2.5 RHS



Strut:
40 x 40 x 2.5 RHS



END POST SET-UP:
1 POST + 1 STRUTS



BSPSE18

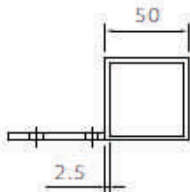


1.8m STRAIGHT LEFT HAND END POST

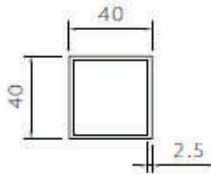
BSPSE18

ALL DIMENSIONS
IN MM

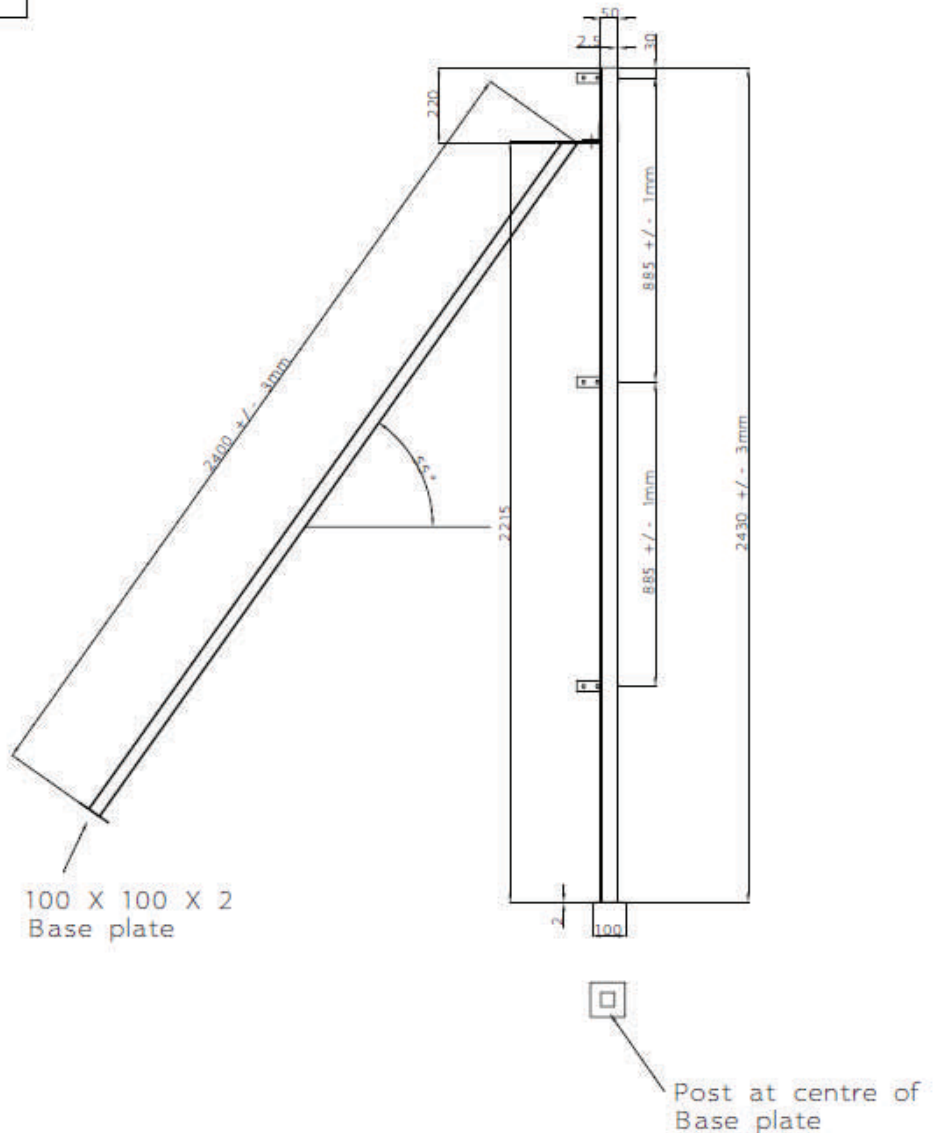
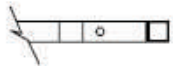
Post:
50 x 50 x 2.5 RHS



Strut:
40 x 40 x 2.5 RHS



STRAINING POST SET-UP:
1 POST + 1 STRUTS



BSPSE18

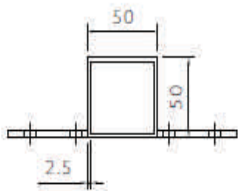


1.8m STRAIGHT TWOWAY POST

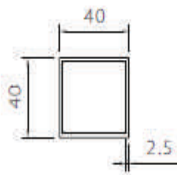
BSPST18

ALL DIMENSIONS
IN MM

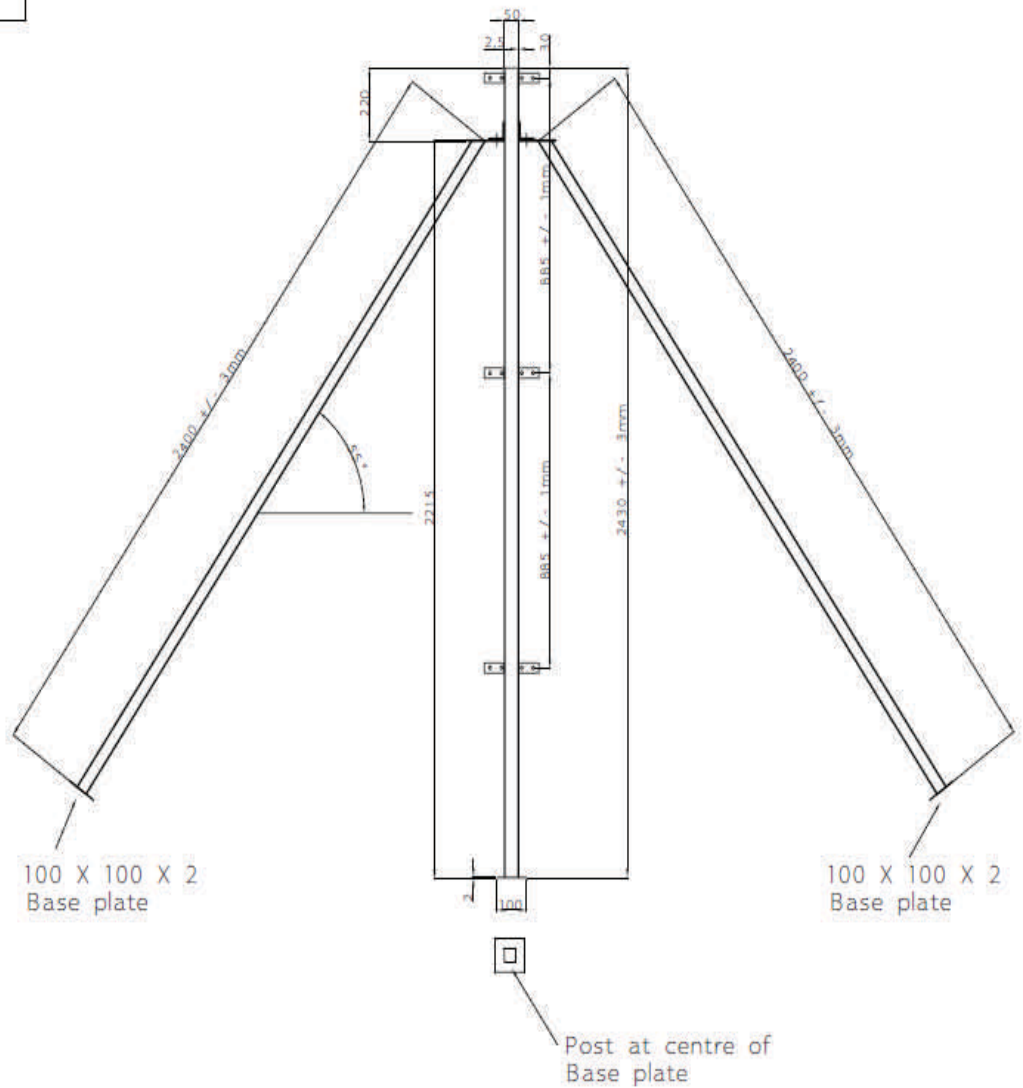
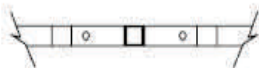
Post:
50 x 50 x 2.5 RHS



Strut:
40 x 40 x 2.5 RHS



STRAINING POST SET-UP:
1 POST + 2 STRUTS



BSPST18

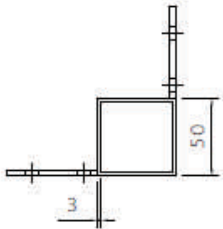


1.8m STRAIGHT CORNER POST

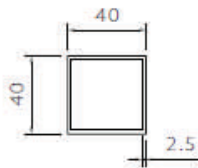
BSPSC18

ALL DIMENSIONS
IN MM

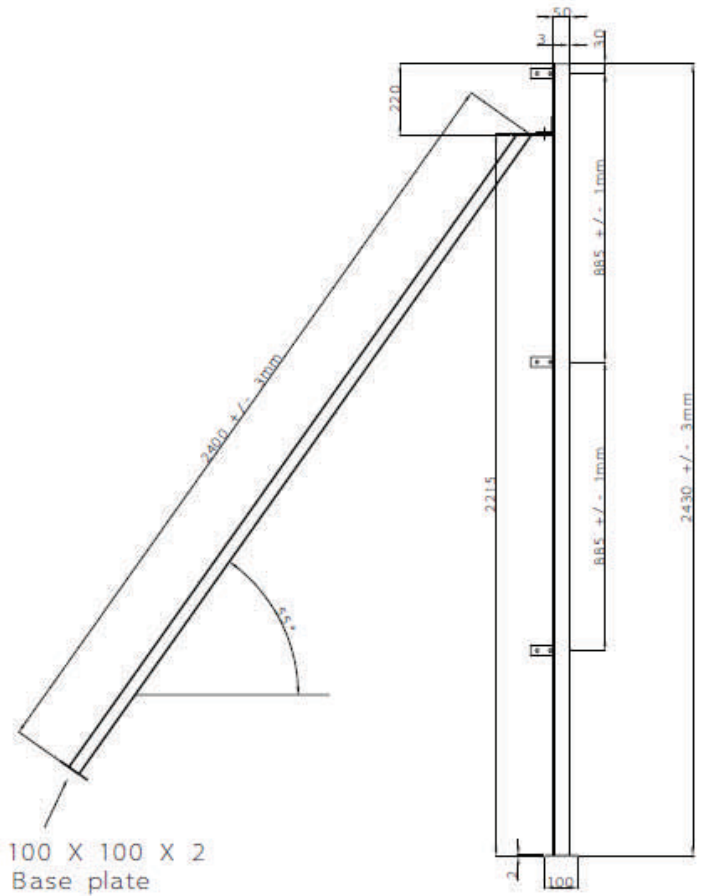
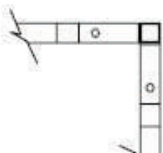
Post:
50 x 50 x 3 RHS



Strut:
40 x 40 x 2.5 RHS



CORNER POST
SET-UP:
1 POST + 2 STRUTS



Post at centre of
Base plate

BSPSC18